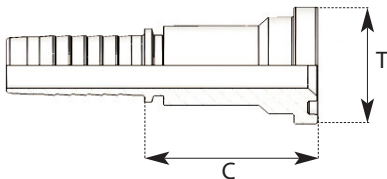


Flensaansluiting 3000 psi

K2SFL

| | |
|-------------|---|
| Aansluiting | : Flens met dichtingsgroef |
| Serie | : 3000 psi (SAE J516/518) |
| Afdichting | : O-ring of specifieke afdichtingsring (deel 13 - pg. 13) |
| Uitvoering | : Recht |

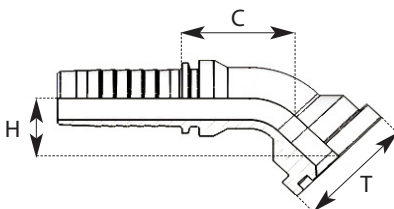


| DN | Inch | Flens | T mm | C mm | Referentie |
|----|--------|--------|---------|---------|------------|
| 12 | 1/2" | 1/2" | 30,2 | 45 | K2SFL12 |
| 12 | 1/2" | 3/4" | 38,1 | 50 | K2SFL1212 |
| 16 | 5/8" | 1/2" | 30,2 | 45 | K2SFL1608 |
| 16 | 5/8" | 3/4" | 38,1 | 49 | K2SFL1612 |
| 20 | 3/4" | 3/4" | 38,1 | 50 | K2SFL20 |
| 20 | 3/4" | 1" | 44,5 | 53 | K2SFL2016 |
| 25 | 1" | 1" | 44,5 | 54 | K2SFL25 |
| 25 | 1" | 1.1/4" | 50,8 | 57 | K2SFL2520 |
| 32 | 1.1/4" | 1.1/4" | 50,8 | 59 | K2SFL32 |
| 32 | 1.1/4" | 1.1/2" | 60,3 | 62 | K2SFL3224 |
| 38 | 1.1/2" | 1.1/2" | 60,3 | 62 | K2SFL38 |
| 38 | 1.1/2" | 2" | 71,4 | 67 | K2SFL3832 |
| 50 | 2" | 2" | 71,4 | 68 | K2SFL50 |
| 50 | 2" | 2.1/2" | 84,1 | 76 | K2SFL5040 |

Referentie rvs uitvoering: vervang K door R

K24SFL

| | |
|-------------|---|
| Aansluiting | : Flens met dichtingsgroef |
| Serie | : 3000 psi (SAE J516/518) |
| Afdichting | : O-ring of specifieke afdichtingsring (deel 13 - pg. 13) |
| Uitvoering | : 45° gebogen - monobloc |

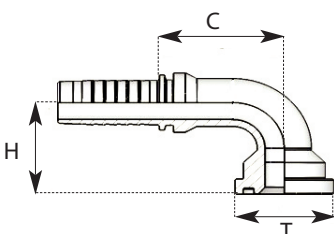


| DN | Inch | Flens | T mm | C mm | H mm | Referentie |
|----|--------|--------|---------|---------|---------|------------|
| 12 | 1/2" | 1/2" | 30,2 | 62 | 22 | K24SFL12 |
| 12 | 1/2" | 3/4" | 38,1 | 68 | 25 | K24SFL1212 |
| 20 | 3/4" | 3/4" | 38,1 | 83 | 27 | K24SFL20 |
| 20 | 3/4" | 1" | 44,5 | 88 | 30 | K24SFL2016 |
| 25 | 1" | 1" | 44,5 | 104 | 33 | K24SFL25 |
| 25 | 1" | 1.1/4" | 50,8 | 108 | 37 | K24SFL2520 |
| 32 | 1.1/4" | 1.1/4" | 50,8 | 125 | 38 | K24SFL32 |
| 32 | 1.1/4" | 1.1/2" | 60,3 | 129 | 39 | K24SFL3224 |
| 38 | 1.1/2" | 1.1/2" | 60,3 | 147 | 45 | K24SFL38 |
| 38 | 1.1/2" | 2" | 71,4 | 148 | 48 | K24SFL3832 |
| 50 | 2" | 2" | 71,4 | 184 | 58 | K24SFL50 |

Referentie rvs uitvoering: vervang K door R

K29SFL

| | |
|-------------|---|
| Aansluiting | : Flens met dichtingsgroef |
| Serie | : 3000 psi (SAE J516/518) |
| Afdichting | : O-ring of specifieke afdichtingsring (deel 13 - pg. 13) |
| Uitvoering | : 90° gebogen - monobloc |



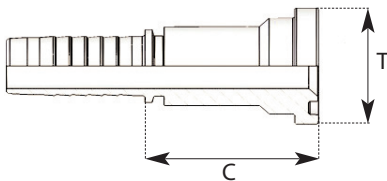
| DN | Inch | Flens | T mm | C mm | H mm | Referentie |
|----|--------|--------|---------|---------|---------|------------|
| 12 | 1/2" | 1/2" | 30,2 | 39 | 39 | K29SFL12 |
| 12 | 1/2" | 3/4" | 38,1 | 39 | 44 | K29SFL1212 |
| 16 | 5/8" | 1/2" | 30,2 | 45 | 42 | K29SFL16 |
| 16 | 5/8" | 3/4" | 38,1 | 45 | 47 | K29SFL1612 |
| 20 | 3/4" | 3/4" | 38,1 | 56 | 53 | K29SFL2008 |
| 20 | 3/4" | 1" | 44,5 | 56 | 58 | K29SFL20 |
| 25 | 1" | 1" | 44,5 | 70 | 65 | K29SFL2512 |
| 25 | 1" | 1.1/4" | 50,8 | 70 | 70 | K29SFL25 |
| 25 | 1" | 1.1/2" | 60,3 | 72 | 71 | K29SFL2520 |
| 32 | 1.1/4" | 1.1/4" | 50,8 | 85 | 81 | K29SFL32 |
| 32 | 1.1/4" | 1.1/2" | 60,3 | 85 | 85 | K29SFL3224 |
| 38 | 1.1/2" | 1.1/2" | 60,3 | 99 | 92 | K29SFL38 |
| 38 | 1.1/2" | 2" | 71,4 | 99 | 95 | K29SFL3832 |
| 50 | 2" | 2" | 71,4 | 123 | 121 | K29SFL50 |

Referentie rvs uitvoering: vervang K door R

Flensaansluiting 6000 psi

K2SFS

| | |
|-------------|---|
| Aansluiting | : Flens met dichtingsgroef |
| Serie | : 6000 psi (SAE J516/518) |
| Afdichting | : O-ring of specifieke afdichtingsring (deel 13 - pg. 13) |
| Uitvoering | : Recht |

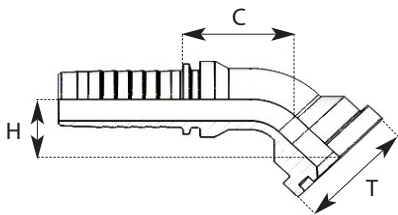


| DN | Inch | Flens | T mm | C mm | Referentie |
|----|--------|--------|---------|---------|------------|
| 12 | 1/2" | 1/2" | 31.7 | 46 | K2SFS12 |
| 12 | 1/2" | 3/4" | 41.3 | 53 | K2SFS1212 |
| 16 | 5/8" | 1/2" | 31.7 | 46 | K2SFS1608 |
| 16 | 5/8" | 3/4" | 41.3 | 53 | K2SFS1612 |
| 16 | 5/8" | 1" | 47.6 | 59 | K2SFS1616 |
| 20 | 3/4" | 3/4" | 41.3 | 54 | K2SFS20 |
| 20 | 3/4" | 1" | 47.6 | 60 | K2SFS2016 |
| 25 | 1" | 3/4" | 41.3 | 55 | K2SFS2512 |
| 25 | 1" | 1" | 47.6 | 61 | K2SFS25 |
| 25 | 1" | 1.1/4" | 54 | 68 | K2SFS2520 |
| 32 | 1.1/4" | 1.1/4" | 54 | 70 | K2SFS32 |
| 32 | 1.1/4" | 1.1/2" | 63.5 | 76 | K2SFS3224 |
| 38 | 1.1/2" | 1.1/2" | 63.5 | 76 | K2SFS38 |
| 38 | 1.1/2" | 2" | 79.4 | 85 | K2SFS3832 |
| 50 | 2" | 2" | 79.4 | 85 | K2SFS50 |

Referentie rvs uitvoering: vervang K door R

K24SFS

| | |
|-------------|---|
| Aansluiting | : Flens met dichtingsgroef |
| Serie | : 6000 psi (SAE J516/518) |
| Afdichting | : O-ring of specifieke afdichtingsring (deel 13 - pg. 13) |
| Uitvoering | : 45° gebogen - monobloc |

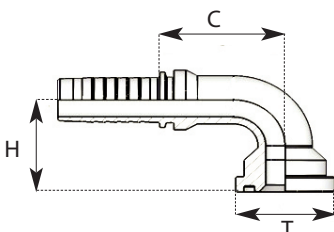


| DN | Inch | Flens | T mm | C mm | H mm | Referentie |
|----|--------|--------|---------|---------|---------|------------|
| 12 | 1/2" | 1/2" | 31.7 | 62 | 22 | K24SFS12 |
| 12 | 1/2" | 3/4" | 41.3 | 71 | 28 | K24SFS1212 |
| 16 | 5/8" | 3/4" | 41.3 | 75 | 27 | K24SFS1612 |
| 20 | 3/4" | 3/4" | 41.3 | 86 | 30 | K24SFS20 |
| 20 | 3/4" | 1" | 47.6 | 90 | 32 | K24SFS2016 |
| 25 | 1" | 3/4" | 41.3 | 101 | 30 | K24SFS2512 |
| 25 | 1" | 1" | 47.6 | 107 | 35 | K24SFS25 |
| 25 | 1" | 1.1/4" | 54 | 113 | 42 | K24SFS2520 |
| 32 | 1.1/4" | 1.1/4" | 54 | 130 | 44 | K24SFS32 |
| 32 | 1.1/4" | 1.1/2" | 63.5 | 138 | 48 | K24SFS3224 |
| 38 | 1.1/2" | 1.1/2" | 63.5 | 156 | 50 | K24SFS38 |
| 50 | 2" | 2" | 79.4 | 198 | 71 | K24SFS50 |

Referentie rvs uitvoering: vervang K door R

K29SFS

| | |
|-------------|---|
| Aansluiting | : Flens met dichtingsgroef |
| Serie | : 6000 psi (SAE J516/518) |
| Afdichting | : O-ring of specifieke afdichtingsring (deel 13 - pg. 13) |
| Uitvoering | : 90° gebogen - monobloc |



| DN | Inch | Flens | T mm | C mm | H mm | Referentie |
|----|-------|-------|---------|---------|---------|------------|
| 12 | 1/2 | 1/2 | 31.7 | 39 | 39 | K29SFS12 |
| 12 | 1/2 | 3/4 | 41.3 | 39 | 48 | K29SFS1212 |
| 16 | 5/8 | 3/4 | 41.3 | 45 | 51 | K29SFS1612 |
| 20 | 3/4 | 1/2 | 31.7 | 56 | 54 | K29SFS2008 |
| 20 | 3/4 | 3/4 | 41.3 | 56 | 57 | K29SFS20 |
| 20 | 3/4 | 1 | 47.6 | 56 | 63 | K29SFS2016 |
| 25 | 1 | 1 | 47.6 | 70 | 70 | K29SFS25 |
| 25 | 1 | 1.1/4 | 54 | 72 | 73 | K29SFS2520 |
| 32 | 1.1/4 | 1.1/4 | 54 | 85 | 88 | K29SFS32 |
| 32 | 1.1/4 | 1.1/2 | 63.5 | 87 | 90 | K29SFS3224 |
| 38 | 1.1/2 | 1.1/2 | 63.5 | 99 | 104 | K29SFS38 |
| 50 | 2 | 2 | 79.4 | 125 | 136 | K29SFS50 |

Referentie rvs uitvoering: vervang K door R

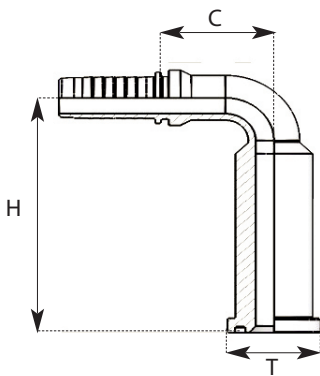
Flensaansluiting 3000 psi - lange bocht

K2SFL L

| | |
|-------------|---|
| Aansluiting | : Flens met dichtingsgroef |
| Serie | : 3000 psi (SAE J516/518) |
| Afdichting | : O-ring of specifieke afdichtingsring (deel 13 - pg. 13) |
| Uitvoering | : 90° gebogen - monobloc - lang- |

| DN | Inch | Flens | T mm | C mm | H mm | Referentie |
|----|--------|--------|---------|---------|---------|------------|
| 13 | 1/2" | 1/2" | 30,2 | 39 | 73 | K2SFL12L |
| 20 | 3/4" | 3/4" | 38,1 | 56 | 123 | K2SFL20L |
| 25 | 1" | 1" | 44,5 | 70 | 127 | K2SFL25L |
| 32 | 1.1/4" | 1.1/4" | 50,8 | 85 | 178 | K2SFL32L |
| 38 | 1.1/2" | 1.1/2" | 60,3 | 99 | 220 | K2SFL38L |

Referentie rvs uitvoering: vervang K door R



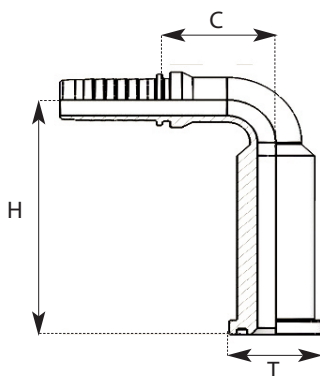
Flensaansluiting 6000 psi - lange bocht

K2SFS L

| | |
|-------------|---|
| Aansluiting | : Flens met dichtingsgroef |
| Serie | : 6000 psi (SAE J516/518) |
| Afdichting | : O-ring of specifieke afdichtingsring (deel 13 - pg. 13) |
| Uitvoering | : 90° gebogen - monobloc - lang- |

| DN | Inch | Flens | T mm | C mm | H mm | Referentie |
|----|--------|--------|---------|---------|---------|------------|
| 12 | 1/2" | 1/2" | 31.7 | 40 | 75 | K2SFS12L |
| 20 | 3/4" | 3/4" | 41.3 | 56 | 126 | K2SFS20L |
| 25 | 1" | 1" | 47.6 | 70 | 132 | K2SFS25L |
| 32 | 1.1/4" | 1.1/4" | 54 | 82 | 185 | K2SFS32L |
| 38 | 1.1/2" | 1.1/2" | 63.5 | 99 | 233 | K2SFS38L |

Referentie rvs uitvoering: vervang K door R

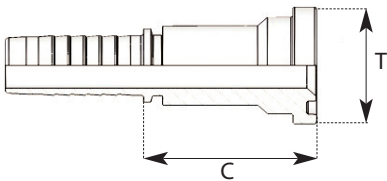


Flensaansluiting KOMATSU

K2SFL..KOM

| | |
|-------------|---|
| Aansluiting | : Flens met dichtingsgroef |
| Serie | : Komatsu |
| Afdichting | : O-ring of specifieke afdichtingsring (deel 13 - pg. 13) |
| Uitvoering | : Recht |

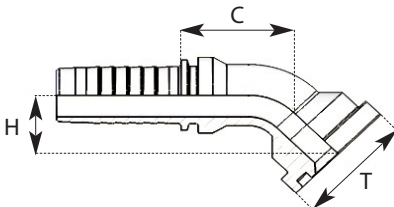
| DN | Inch | Flens | T mm | C mm | Referentie |
|----|------|-------|---------|---------|------------|
| 16 | 5/8" | 5/8" | 34,0 | 56,0 | K2SFL16KOM |



K24SFL..KOM

| | |
|-------------|---|
| Aansluiting | : Flens met dichtingsgroef |
| Serie | : Komatsu |
| Afdichting | : O-ring of specifieke afdichtingsring (deel 13 - pg. 13) |
| Uitvoering | : 45° gebogen |

| DN | Inch | Flens | T mm | C mm | H mm | Referentie |
|----|------|-------|---------|---------|---------|-------------|
| 16 | 5/8" | 5/8" | 34,0 | 23,0 | 54,0 | K24SFL16KOM |



K29SFL..KOM

| | |
|-------------|---|
| Aansluiting | : Flens met dichtingsgroef |
| Serie | : Komatsu |
| Afdichting | : O-ring of specifieke afdichtingsring (deel 13 - pg. 13) |
| Uitvoering | : 90° gebogen |

| DN | Inch | Flens | T mm | C mm | H mm | Referentie |
|----|------|-------|---------|---------|---------|-------------|
| 16 | 5/8" | 5/8" | 34,0 | 48,0 | 47,0 | K29SFL16KOM |

