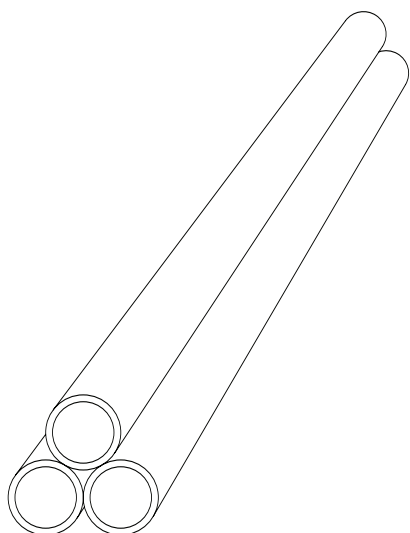


Naadloze koudgetrokken stalen hogedrukbus DIN 2445

Type: HDP en HDPB

HDP: gefosfateerd staal
HDPB: geel gepassiveerd staal



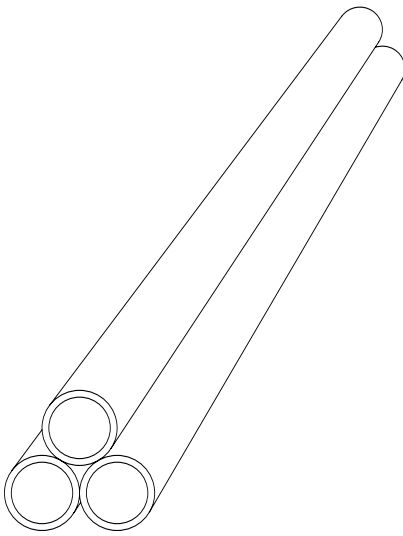
Buitendia. mm	Wanddikte mm	Werkdruk bar	Testdruk bar	Barstdruk bar	Gewicht g/m	Referentie gefosfateerd	Referentie geel staal
6	1,0	377	558	1320	123	HDP0610	HDPB0610
6	1,5	565	792	2145	167	HDP0615	HDPB0615
6	2,0	754	995	3120	197	HDP0620	HDPB0620
8	1,0	282	430	953	173	HDP0810	HDPB0810
8	1,5	424	619	1514	240	HDP0815	HDPB0815
8	2,0	565	792	2145	296	HDP0820	HDPB0820
10	1,0	239	370	746	222	HDP1010	HDPB1010
10	1,5	359	538	1170	314	HDP1015	HDPB1015
10	2,0	479	694	1634	395	HDP1020	HDPB1020
12	1,0	199	308	612	271	HDP1210	HDPB1210
12	1,5	299	455	953	389	HDP1215	HDPB1215
12	2,0	399	591	1320	493	HDP1220	HDPB1220
12	3,0	598	838	2145	670	HDP1230	HDPB1230
14	1,5	256	394	804	462	HDP1415	HDPB1415
14	2,0	342	514	1107	592	HDP1420	HDPB1420
14	2,5	427	628	1430	709	HDP1425	HDPB1425
14	3,0	413	736	1775	814	HDP1430	HDPB1430
15	1,5	239	370	746	499	HDP1515	HDPB1515
15	2,0	319	483	1024	641	HDP1520	HDPB1520
16	1,5	224	347	695	536	HDP1615	HDPB1615
16	2,0	299	455	953	691	HDP1620	HDPB1620
16	2,5	374	558	1225	832	HDP1625	HDPB1625
16	3,0	449	656	1514	961	HDP1630	HDPB1630
18	1,5	199	308	612	610	HDP1815	HDPB1815
18	2,0	266	408	837	789	HDP1820	HDPB1820
18	2,5	332	501	1072	960	HDP1825	HDPB1825
18	3,0	399	591	1320	1110	HDP1830	HDPB1830
20	1,5	179	277	547	684	HDP2015	HDPB2015
20	2,0	239	370	746	888	HDP2020	HDPB2020
20	2,5	299	455	953	1079	HDP2025	HDPB2025
20	3,0	359	538	1170	1258	HDP2030	HDPB2030
20	4,0	479	694	1634	1578	HDP2040	HDPB2040
22	1,5	163	252	495	758	HDP2215	HDPB2215
22	2,0	217	336	673	986	HDP2220	HDPB2220
22	2,5	272	417	858	1200	HDP2225	HDPB2225
22	3,0	326	493	1050	1410	HDP2230	HDPB2230
25	1,5	143	222	432	869	HDP2515	HDPB2515
25	2,0	191	296	586	1130	HDP2520	HDPB2520
25	2,5	239	370	746	1387	HDP2525	HDPB2525
25	3,0	287	438	911	1628	HDP2530	HDPB2530
25	4,0	399	595	1259	2072	HDP2540	HDPB2540
28	1,5	128	198	384	980	HDP2815	HDPB2815
28	2,0	171	264	520	1282	HDP2820	HDPB2820
28	2,5	213	330	660	1572	HDP2825	HDPB2825
28	3,0	256	394	804	1850	HDP2830	HDPB2830
30	2,0	159	246	483	1381	HDP3020	HDPB3020
30	2,5	199	308	612	1696	HDP3025	HDPB3025
30	3,0	239	370	746	1998	HDP3030	HDPB3030

Gegevens bij 20°C

-vervolg-

Naadloze koudgetrokken stalen hogedrukbuis DIN 2445

HDP: gefosfateerd staal
HDPB: geel gepassiveerd staal



Buitendia. mm	Wanddikte mm	Werkdruk bar	Testdruk bar	Barstdruk bar	Gewicht g/m	Referentie gefosfateerd	Referentie geel staal
30	4,0	333	504	1024	2565	HDP3040	HDPB3040
30	5,0	416	617	1320	3080	HDP3050	HDPB3050
35	2,0	142	220	411	1628	HDP3520	HDPB3520
35	2,5	178	275	520	2000	HDP3525	HDPB3525
35	3,0	214	331	631	2368	HDP3530	HDPB3530
35	4,0	285	437	863	3058	HDP3540	HDPB3540
35	5,0	357	537	1107	3700	HDP3550	HDPB3550
38	2,5	164	254	476	2190	HDP3825	HDPB3825
38	3,0	197	305	578	2590	HDP3830	HDPB3830
38	4,0	263	405	789	3354	HDP3840	HDPB3840
38	5,0	328	498	1009	4069	HDP3850	HDPB3850
38	6,0	394	591	1240	4735	HDP3860	HDPB3860
38	7,0	460	674	1483	5352	HDP3870	HDPB3870
42	2,0	119	183	339	1970	HDP4220	HDPB4220
42	3,0	171	264	520	2886	HDP4230	HDPB4230
42	4,0	238	367	707	3750	HDP4240	HDPB4240
42	5,0	297	454	903	4560	HDP4250	HDPB4250
48	4,0	222	343	656	4040	HDP4840	HDPB4840
48	5,0	260	401	780	5300	HDP4850	HDPB4850
50	3,0	149	231	432	3480	HDP5030	HDPB5030
50	5,0	249	386	746	5548	HDP5050	HDPB5050
50	6,0	299	457	911	6510	HDP5060	HDPB5060
50	8,0	399	595	1259	8290	HDP5080	HDPB5080
50	10,0	499	724	1634	9860	HDP50100	HDPB50100
60	3,0	124	193	357	4220	HDP6030	HDPB6030
60	5,0	208	321	612	6780	HDP6050	HDPB6050
60	6,0	249	386	746	7990	HDP6060	HDPB6060
60	8,0	333	504	1024	10260	HDP6080	HDPB6080

Gegevens bij 20°C